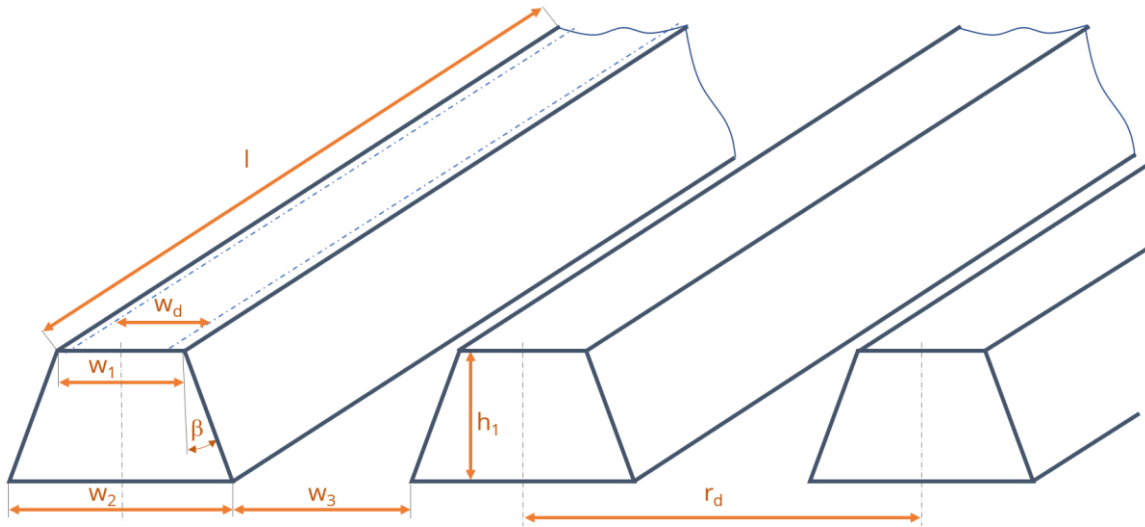




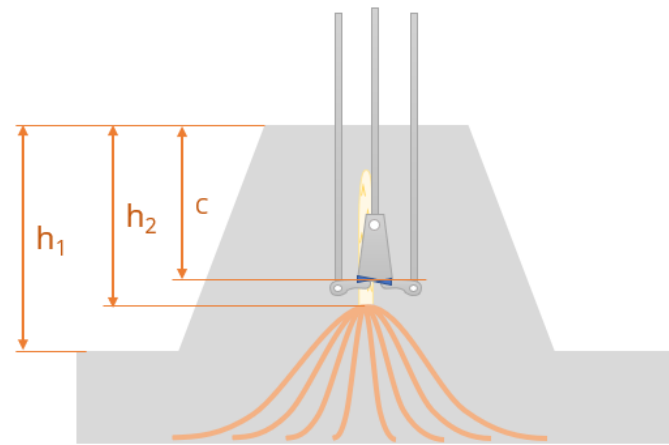
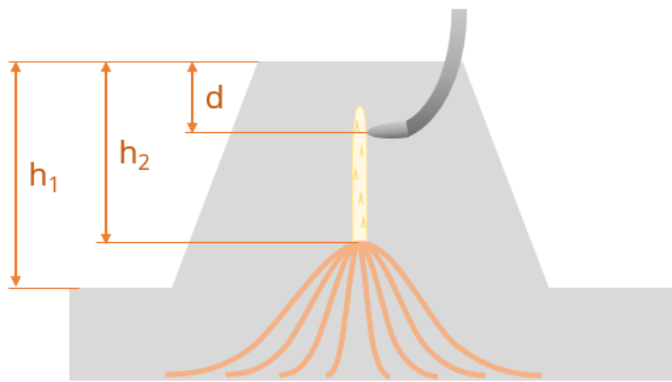
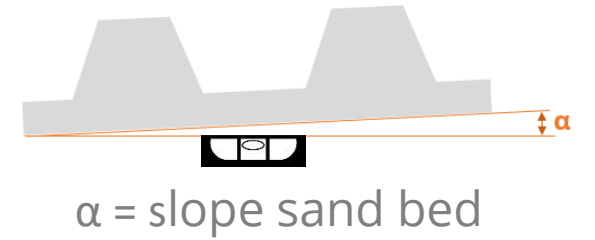
Cerescon – Sparter Specification document sand bed

Version 1 Dec 2018

Specification - legend 1

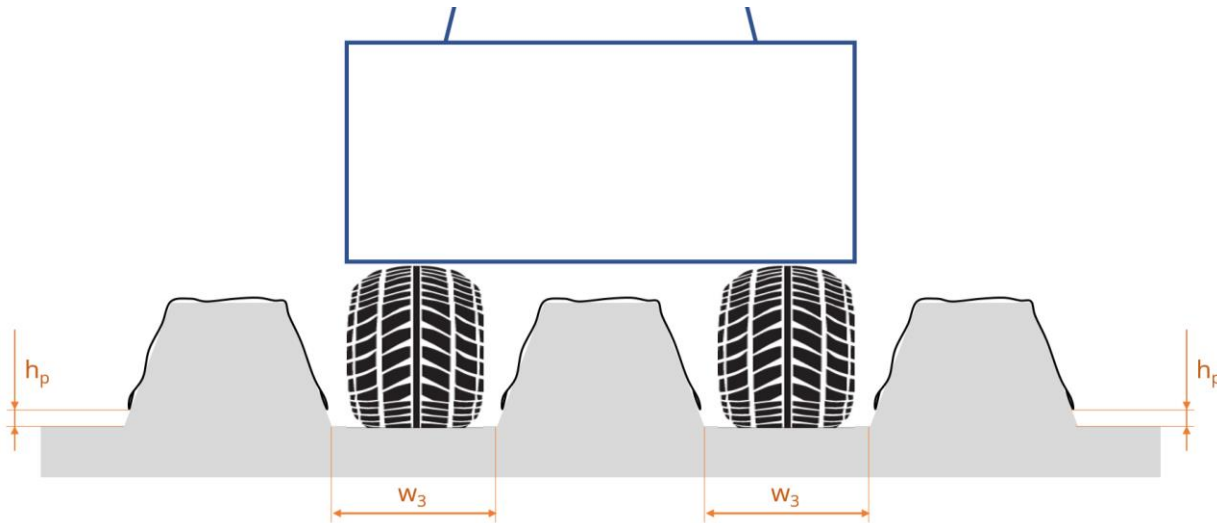


- w_1 = width top
- w_2 = width bottom
- w_3 = distance bottom
- r_d = row distance
- l = length
- β = angle sand bed
- w_d = width detection



- d = detection depth
- c = cutting depth
- h_1 = height sand bed
- h_2 = height above roots

Specification - legend 2

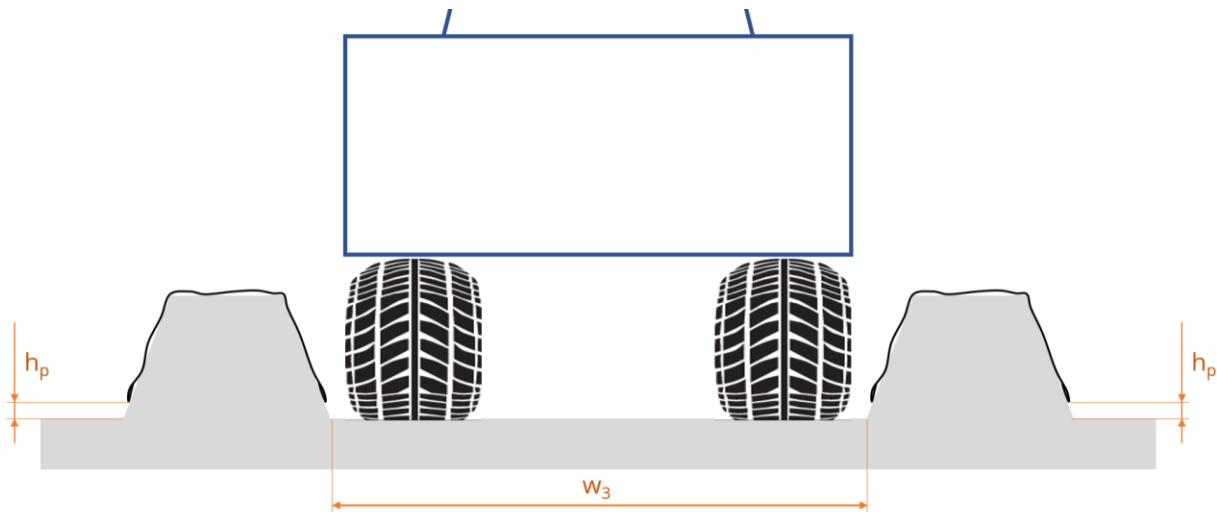


w_3 = space required for wheels

h_p = minimum height plastic

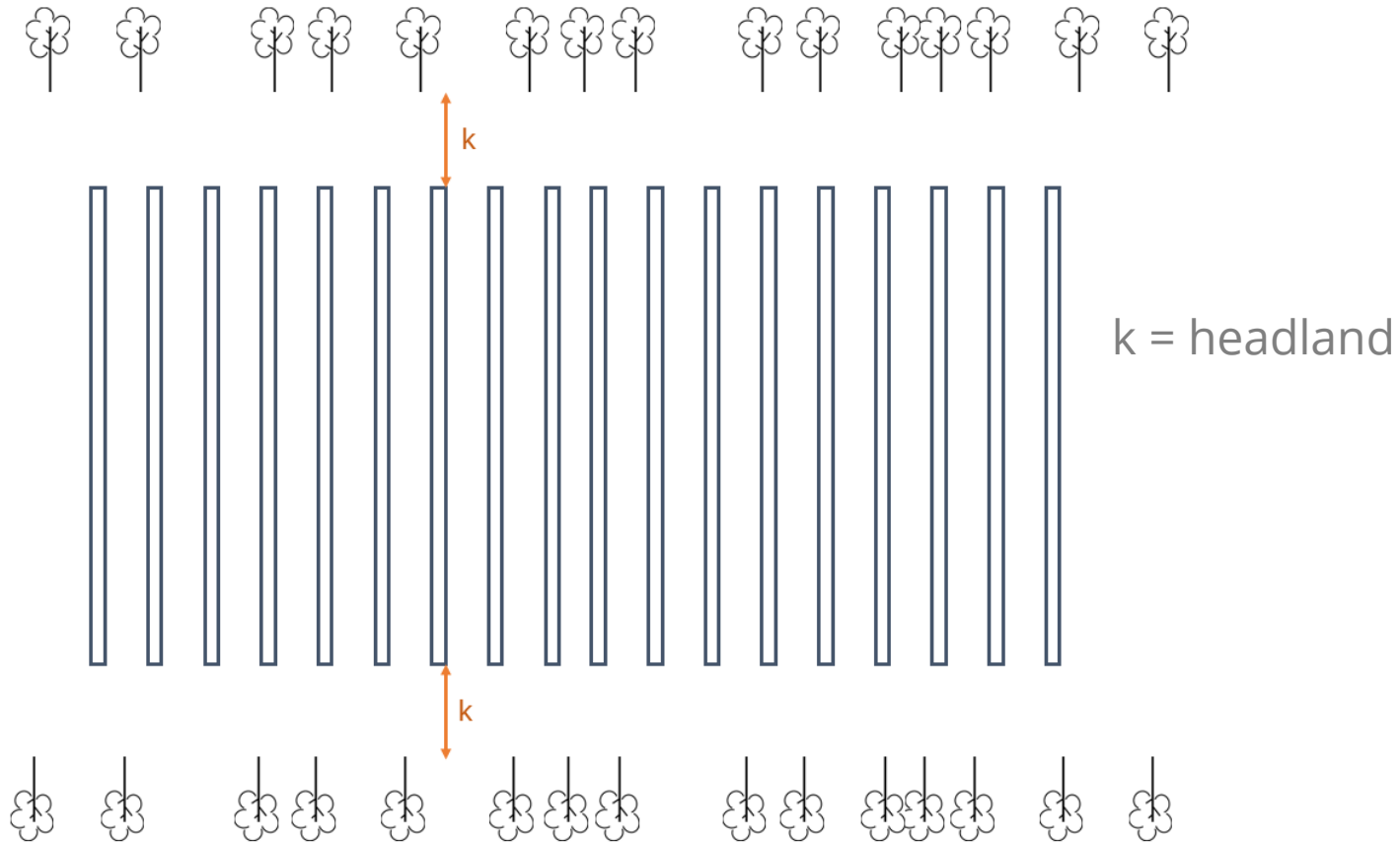
Consideration for tractor wheels:

← Over sand bed

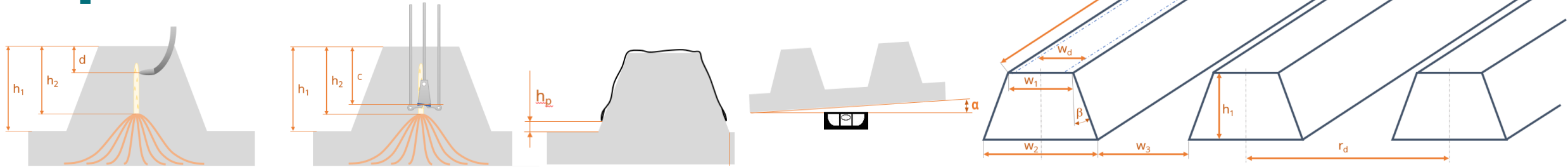


← In between sand beds (2-row version only)

Specification – legend 3



Specifications sand bed (2020)



Dimensions: cm	1- row	2-row, 3-row	2-row (in between sand beds)	2-row, 3-row (extended sliders)
w_1	$40 \leq w_1 \leq 55$ (19 - 23 probes)	$40 \leq w_1 \leq 55$ (19 - 23 probes)	$40 \leq w_1 \leq 55$ (19 - 23 probes)	$40 \leq w_1 \leq 55$ (19 - 23 probes)
w_d	$w_d \leq w_1 - 7$	$w_d \leq w_1 - 7$	$w_d \leq w_1 - 7$	$w_d \leq w_1 - 7$
r_d	$170 \leq r_d$	$170 \leq r_d \leq 290$	$350 \leq r_d \leq 380$	$170 \leq r_d \leq 340$
w_3	$80 \leq w_3$	$80 \leq w_3$	$250 \leq w_3$	$80 \leq w_3$
h_1	$40 \leq h_1 \leq 60$	$40 \leq h_1 \leq 60$	$40 \leq h_1 \leq 60$	$40 \leq h_1 \leq 60$
d	$1 \leq d \leq 10$	$1 \leq d \leq 10$	$1 \leq d \leq 10$	$1 \leq d \leq 10$
h_2	$h_2 \geq c + 5$	$h_2 \geq c + 5$	$h_2 \geq c + 5$	$h_2 \geq c + 5$
h_p	$h_p \geq 5$	$h_p \geq 5$	$h_p \geq 5$	$h_p \geq 5$
c	$c \geq d + 19$ (≥ 19 cm asparagus)	$c \geq d + 19$ (≥ 19 cm asparagus)	$c \geq d + 19$ (≥ 19 cm asparagus)	$c \geq d + 19$ (≥ 19 cm asparagus)
$\alpha ; \beta$	$0^\circ \leq \alpha \leq 2^\circ ; 25^\circ$ to 40°	$0^\circ \leq \alpha \leq 2^\circ ; 25^\circ$ to 40°	$0^\circ \leq \alpha \leq 2^\circ ; 25^\circ$ to 40°	$0^\circ \leq \alpha \leq 2^\circ ; 25^\circ$ to 40°
l	No restrictions	No restrictions	No restrictions	No restrictions
$k ;$	≥ 8 m	≥ 9 m	≥ 9 m	≥ 9 m
transport width	≤ 3 m	≤ 3 m	≤ 3 m	$\leq 3,5$ m



Application aspects- Sandbed condition

- No weeds
 - Remove weeds
 - careful milling
- No clods of sand
 - Subsurface asparagus damage
 - Asparagus grow awry
- No stones
 - Subsurface asparagus damage



Application aspects – Sandbed condition

- Asparagus bed sides not damaged by manual cutting - Sand bed intact
- Asparagus not more than 3 cm above top of bed → resulting in damage by tractor. Or use higher tractor
- Internet connection (minimal 3G) or WIFI

