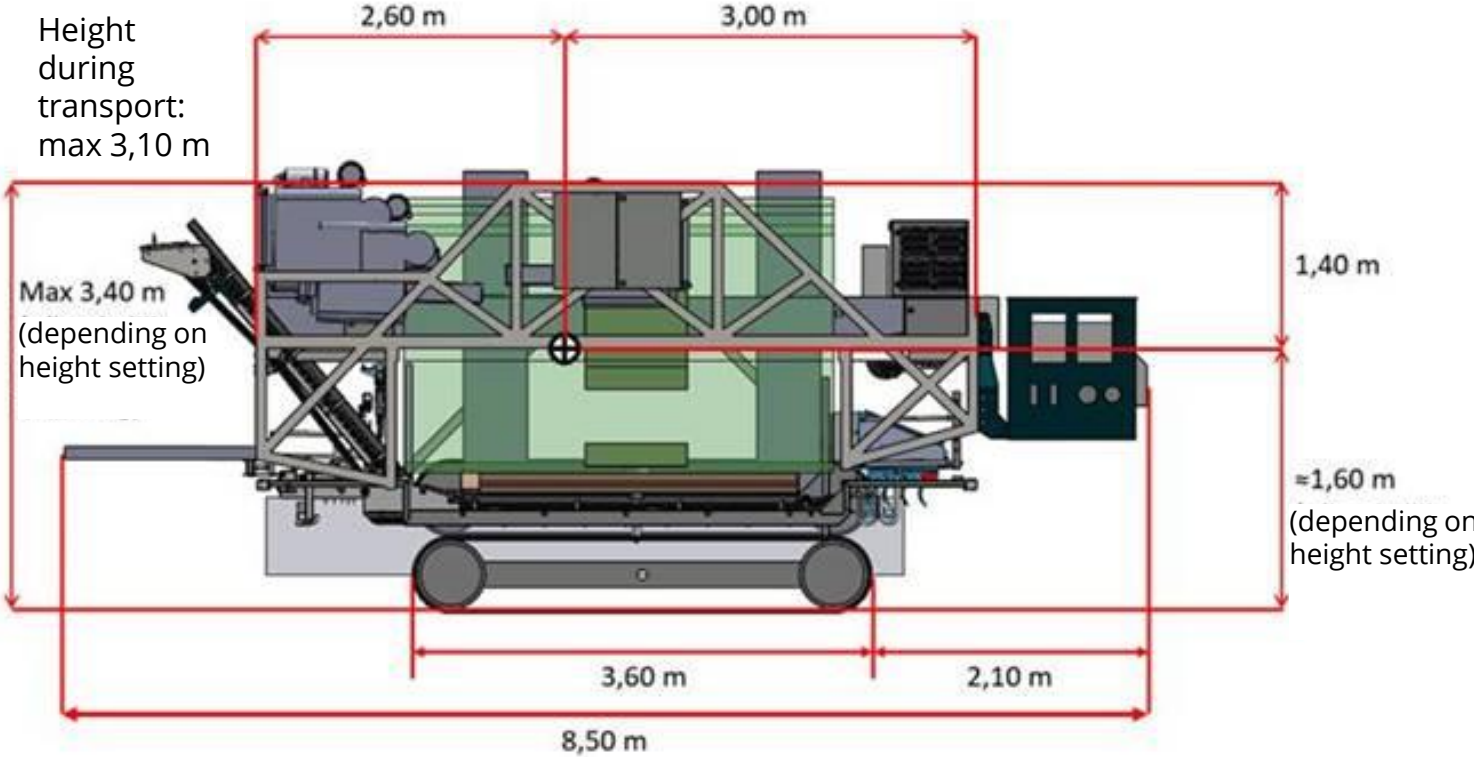
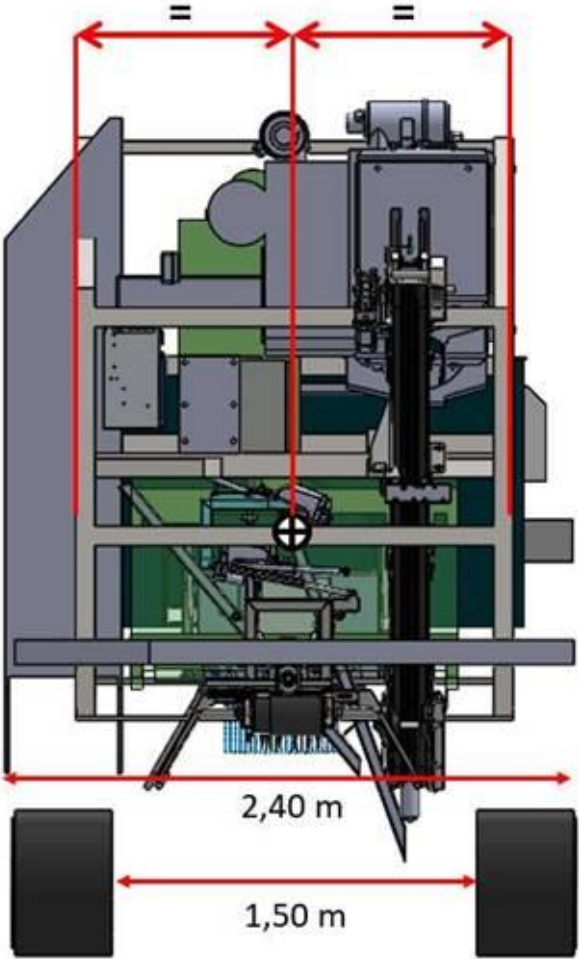




# Specification trailer

February 2020

# Trailer for transport from- and to fields-1



# Trailer for transport from- and to fields-2

## Must have:

- Hydraulic ramps Max. 17 degrees Inclination angle
- Minimum 9 meters loading floor
- Low loading floor (minimum 7.5 meters)
- 8000 kg payload
- Strapping anchors
- Approved for fast traffic and European registration number

## Nice to have:

- Removable posts on the sides
- Separate pneumatic couplings (Yellow/Red)
- Loading space at the front (For possible lashing straps etc.)
- Steel bottom
- Upper loading floor a bit longer because of storage of materials and tools

# **Cerescon B.V.**

## Harvesting Innovation