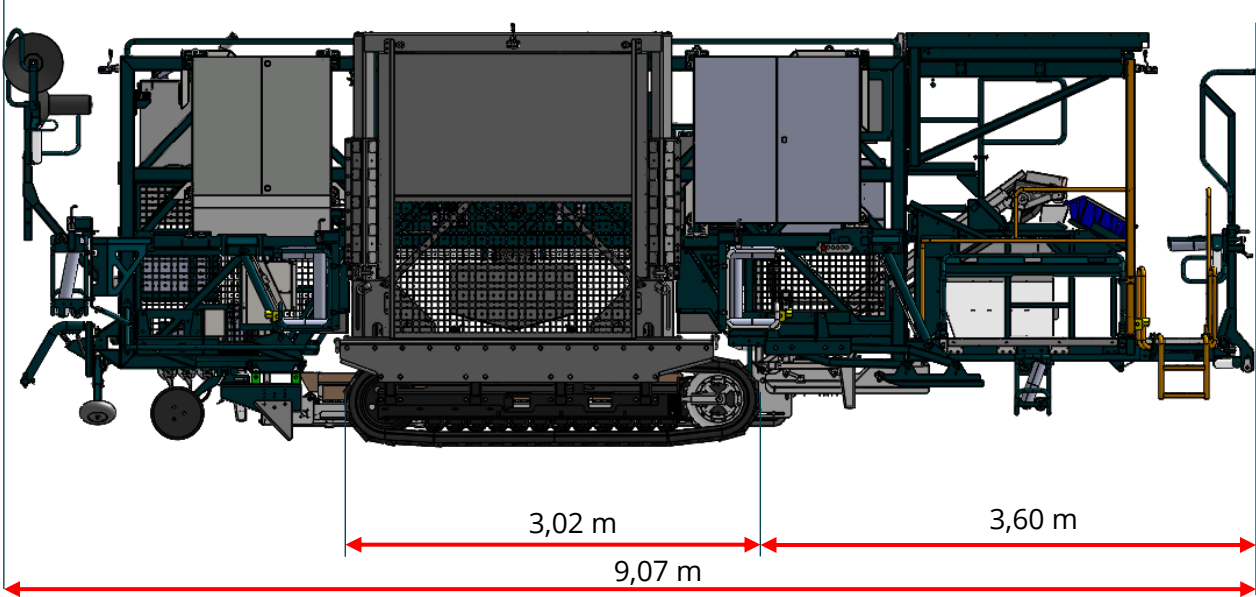
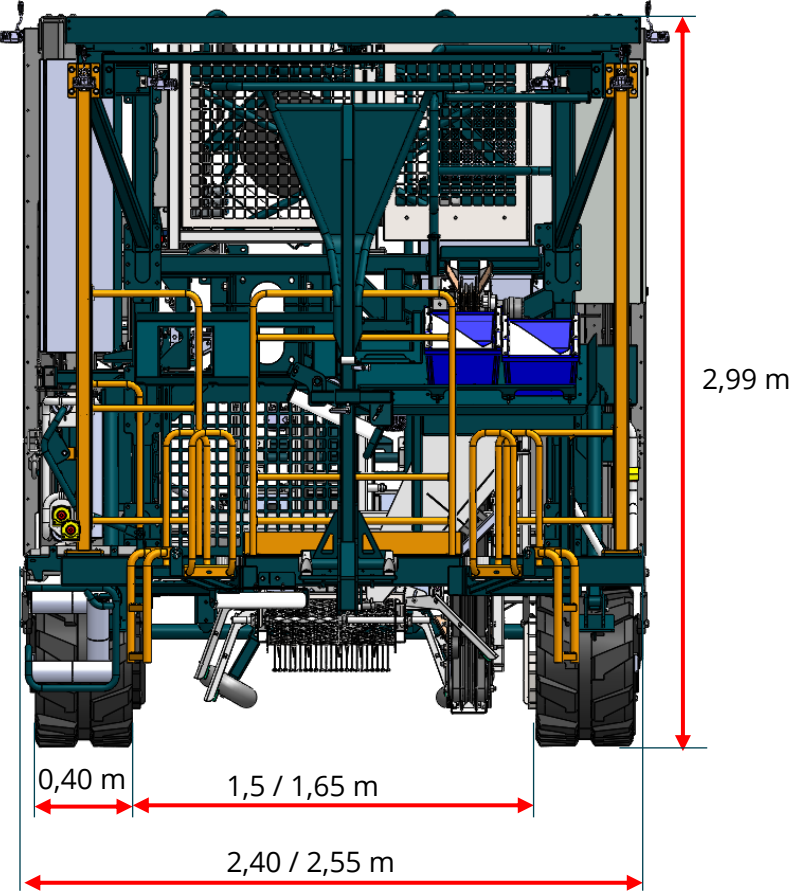




Specification trailer

February 2021

Trailer for transport from- and to fields-1



Trailer for transport from- and to fields-2

Must have:

- Hydraulic ramps Max. 17 degrees Inclination angle
- Minimum 9 meters loading floor
- Low loading floor (minimum 7.5 meters)
- 11.000 kg payload
- Strapping anchors
- Approved for fast traffic and European registration number

Nice to have:

- Removable posts on the sides
- Separate pneumatic couplings (Yellow/Red)
- Loading space at the front (For possible lashing straps etc.)
- Steel bottom
- Upper loading floor a bit longer because of storage of materials and tools

Cerescon B.V.

Harvesting Innovation