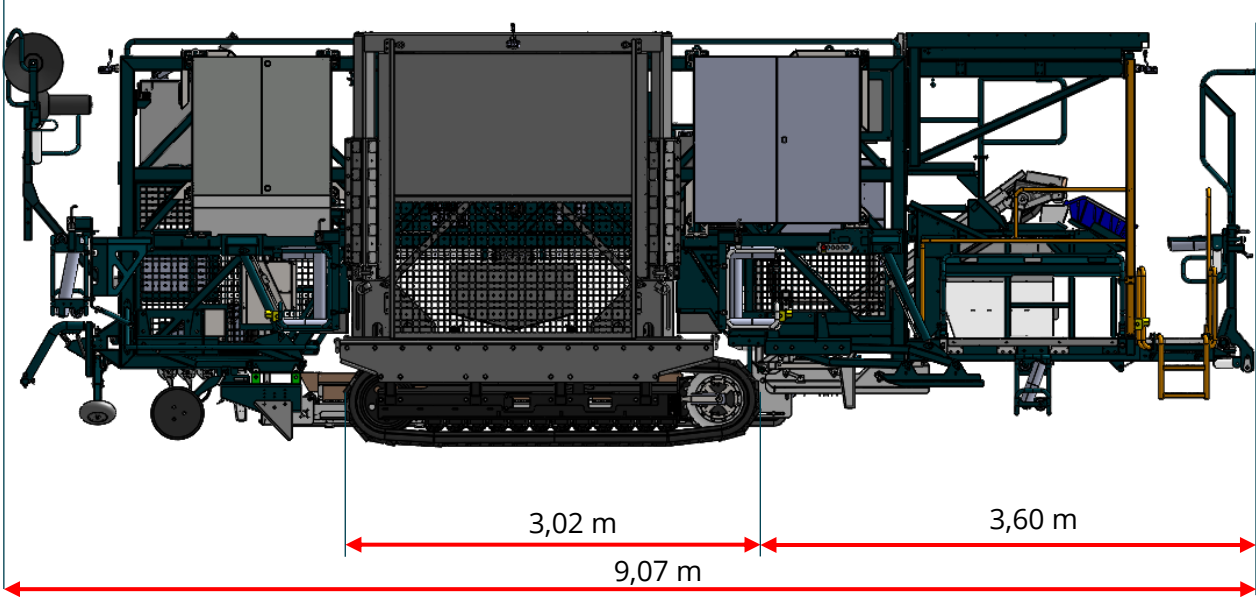
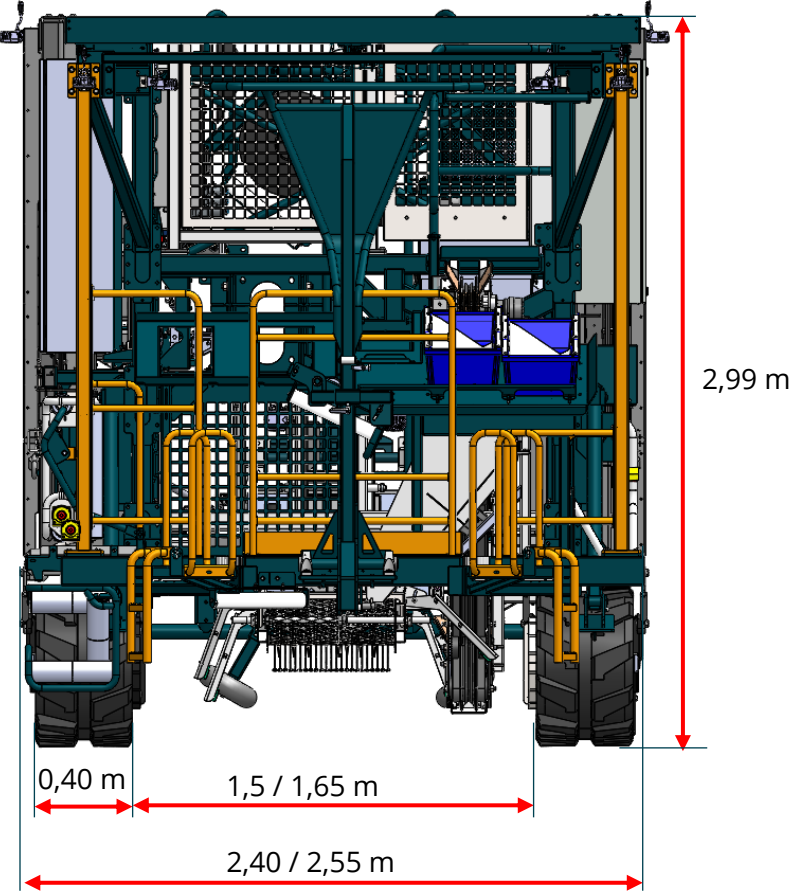




# Specification trailer

October 2021

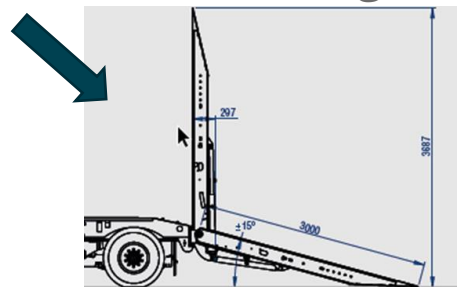
# Trailer for transport from- and to fields-1



# Trailer for transport from-and to fields-2

## Must have

- 3 axle lowloader with minimum 20000 KG Payload
- Hydraulic ramps Max. 15 degrees Inclination angle
- Strapping anchors
- Height +/-90cm
- Steel plate suspension
- Minimum 9,5 meters loading floor
- Low loading floor (minimum 7,5 meters)
- Pneumatic brakes (Separate pneumatic couplings Yellow/Red)
- 40 MM towbar (tractor)



## Nice to have

- Hydraulic ramps +/- 11 degrees Inclination angle
- Completely Low loading floor
- Removable post on the sides
- Air suspension
- Approved for fast traffic and european registration number
- Loadingspace for Lashingstraps

