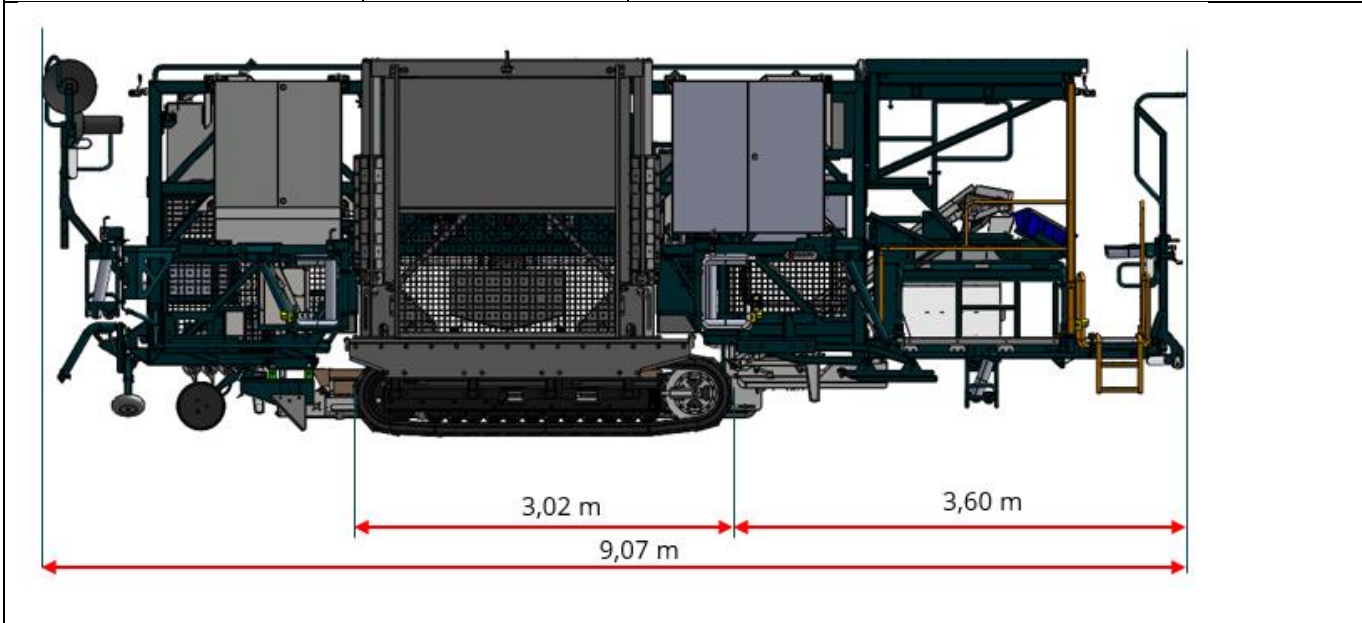


Cerescon Commercial specification for Sparter model 2021

Function/ Feature	Value	Remark
Detection method	Sub surface detection sensing	Contactless with proximity sensors
Standard number of probes in detection unit	19 Option: 23 probes (for detection width 48,3 cm)	19 probes: detection width max 40 cm – with free space border max 48 cm bed width top 23 probes: detection width max 48,3 – with free space border max bed width top 65 cm
Detection depth (relative to top of asparagus bed)	-8 to -10 cm	-8 cm for normal circumstances up to -10 cm depends on sand bed circumstances
2-step detection	Yes	Cutting depth depending on detected asparagus length. Less subsurface damage
Blind spot	For 2022 4 x 15 cm	In future: less than 4 x 15 cm
Row pitch supported	Min 1,7 m	No max row pitch
Cutting knife	2 per machine	
Cutting knife inner diameter	70 mm	For future: different sizes
Cycle time	1,1 sec	
Minimum asparagus spacing in lateral direction for individual harvesting	30mm	
Number of operators	1	Machine can be operated by 1 operator but 2 operators is recommended for small fields, small headland and row length up to 250 m. Operator is trained by Cerescon
Max harvesting speed	2,0 km/h	For harvesting up to 1,7 asperges/m. If more asparagus/m: harvesting speed is automatically adapted
Automatic driving speed control	yes	Adaptive cruise control based on detected number of asparagus

Function/ Feature	Value	Remark
Public road approved vehicle	No	Trailer used for road transport
Turning radius machine	2,5 m	Typical headland 6 m Turn to next row in one forward movement
Diesel engine powered	Yanmar 4TNV98CT	Emissions standard: Stage 5 / V Cylinders: 4 Rated power: 53.7 kW / 73.0 hp
Diesel usage	8 – 10 l/h in harvesting mode	Typical 1 tank x/day Tank is 110 liter In future fuel consumption will be less
Total mass	Ca 10.500 kg	
Power cutting knife	Max 1000 N	
Ground pressure	0,6 kg/cm ²	
Force limitation detection	Yes	Automatic pull back at force limit. For dragging through soil (to prevent damage by stones etc.)
Mini tunnel handling	No	In future: yes Only for arches on the side of the sand bed We follow with high interest the trends in the market
Length including foil handling in operation	Max 12 m	
Machine width in harvesting mode	Max 3 m	

Length during transport	9,07 m	
-------------------------	--------	--



Machine height & width for transport		Max 3m, Max 2,55 m
--------------------------------------	--	--------------------

