

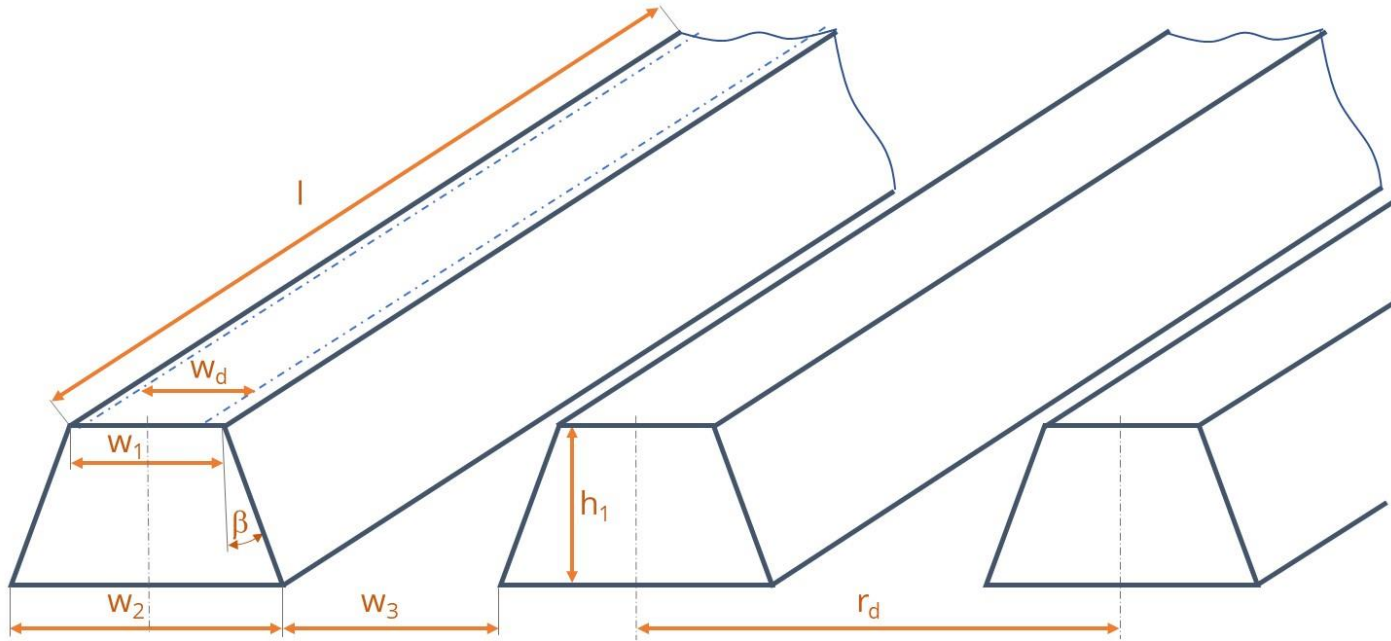


Cerescon – Sparter S121.2 Specification document sand bed season 2021

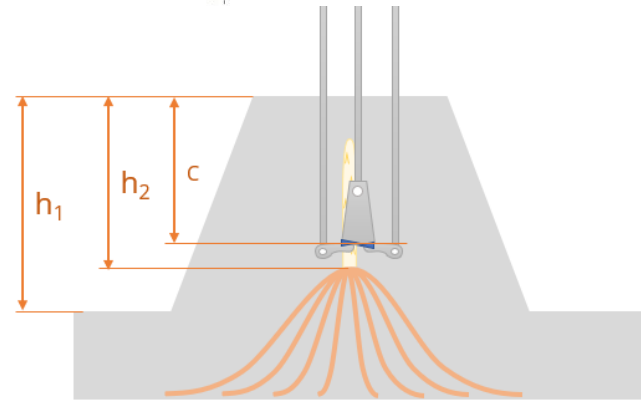
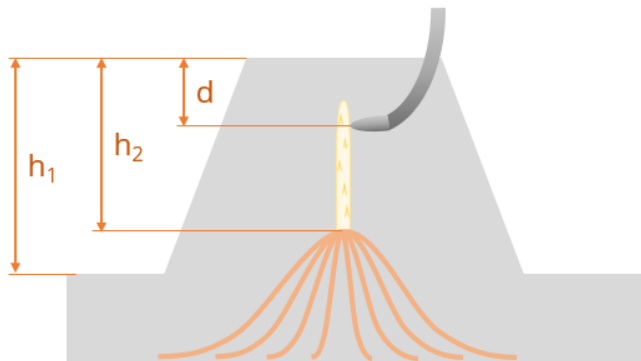
Version

6 April 2020

Sand Bed Dimensions Season 2021

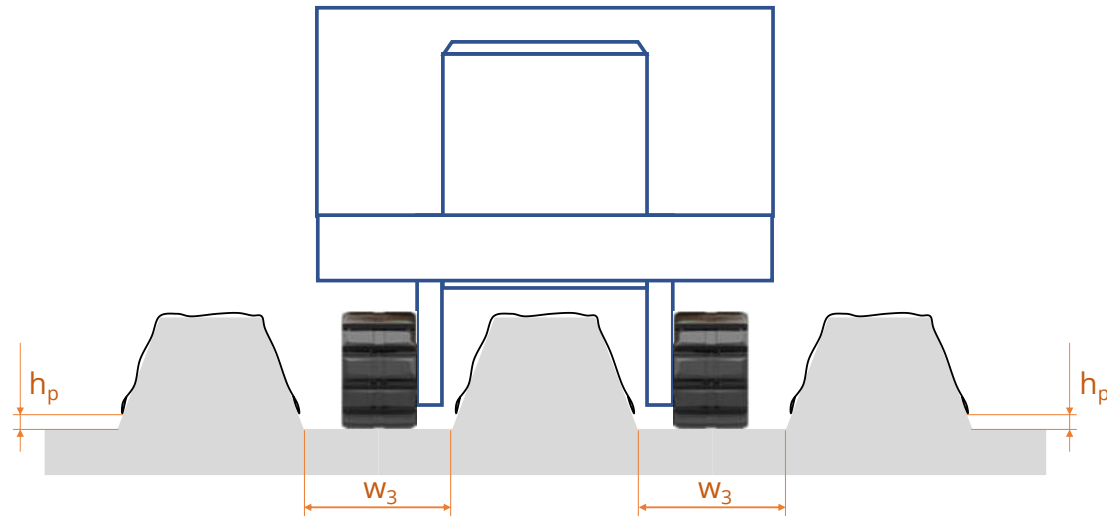


Dimensions: cm		
w_1	width top	40 - 65 cm
w_2	width bottom	Max 130 cm
w_3	distance bottom	Min 80 cm
r_d	row distance	Min 170 cm
l	length	Min 10 m
β	angle sand bed	25° to 40°
w_d	width detection	Max 40 - Max 48,3 19 probes - 23 probes



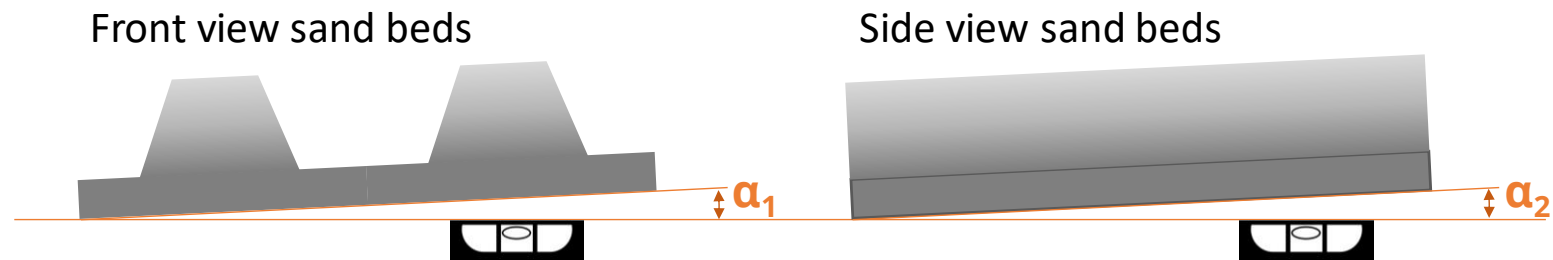
Dimensions: cm		
d	detection depth	5 to 10 cm
c	cutting depth	30 - 35 cm
h_1	height sand bed	47-60 cm
h_2	height above roots	Min 40 cm

Specifications Plastic Foil



h_p = minimum height plastic = 5 cm

Specifications Field Slope



α_1	slope field row to row	Max 2 °
α_2	slope field in row direction	Max 0,5 °

Specifications Headland



Other specifications sand bed Season 2021

Dimensions: cm	
Electrical conductivity	Maximum value in top 10 cm layer of sand bed < 0,05 mS/cm (milli-Siemens /centimeter)
Humidity	Water mass percentage between 4 and 10 %
Weeds in sand bed top	none
Weeds in drive tracks	< 10 cm height and < 10% coverage
Sand bed max penetration force	< 20 bar with standard penetrometer (e.g. Agreto penetrometer)
Sand beds straightness	Minimum radius in top view 500 m
Sand bed minimum temperature at top	0 degrees C (no frost)



Application aspects- Sandbed condition

No weeds

- Remove weeds
- careful milling

No clods of sand

- Subsurface asparagus damage
- Asparagus grow awry

No stones

- Subsurface asparagus damage



Application aspects – Sandbed condition

Asparagus bed sides intact - not damaged by manual cutting

Asparagus not more than 3 cm above top of bed → preventing damage by plastic foil

Internet connection (minimal 3G or WIFI)

